



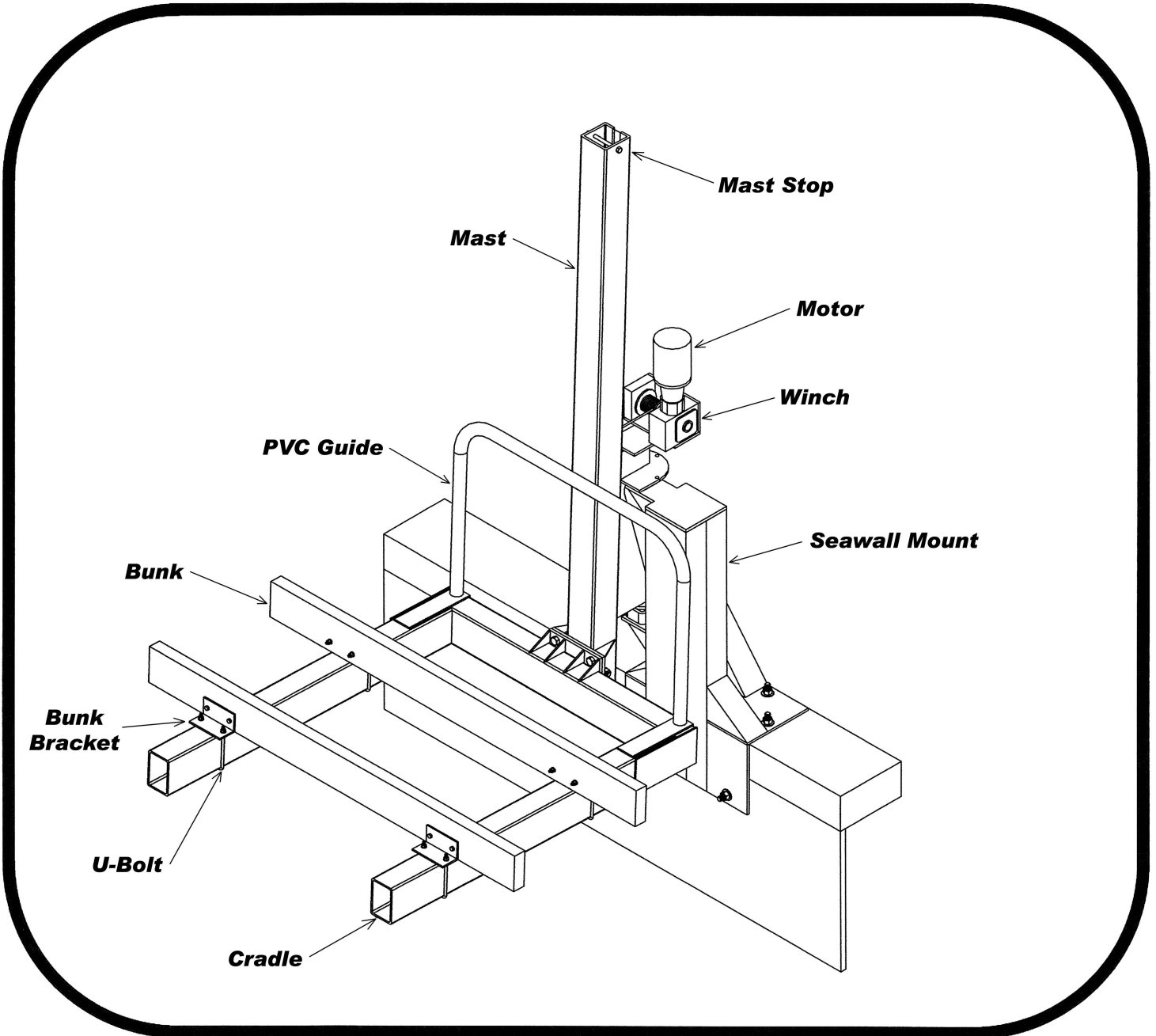
SPINNER

(Patent #8,267,620)

1,500 Lbs.

Seawall Mount Installation

Revised 9/17/21



www.hi-tide.com

4050 Selvitz Road Fort Pierce, Florida 34981

(772) 461-4660 1-800-544-0735 Fax (772) 577-6934

INSTALLATION

The **SPINNER** may be mounted off a suitable concrete seawall or suitable concrete dock. The optional seawall mount bracket must be purchased.

Concrete Seawall...

Locate seawall mount on seawall, install concrete Red Head $\frac{3}{4}$ " x 3" anchors (not supplied) into seawall cap. Pour 1.50 cubic yards of concrete in hole behind seawall cap with (2) $\frac{3}{4}$ " x 6" J-Bolts installed on back of seawall mount. Put nut and washer on each side of mounting plate. Proceed with installation substituting seawall mount bracket for piling mount. Do not load hoist for two days after completion to allow the concrete to fully cure.

Concrete Dock Slab...

Locate seawall mount on concrete dock, drill $\frac{7}{8}$ " diameter holes through slab. Fasten seawall mount to concrete slab utilizing the necessary $\frac{3}{4}$ " bolts (not supplied). Make certain that you use washers on both ends of bolts. Proceed with installation substituting seawall mount bracket for piling mount.

1,500 Lb. Spinner Seawall Mount Hole Layout

